

Aimpoint®

Aimpoint PRO™ User manual



THE FUTURE IN SIGHT.

1 PRESENTATION

Aimpoint® sights are designed for the "both eyes open" method of sighting which greatly enhances situational awareness and target acquisition speed. Thanks to the parallax-free design, the dot follows the movement of the user's eye while remaining fixed on the target. This eliminates any need for centering the dot in the sight tube. The sight is designed for unlimited eye-relief, allowing the sight to operate at any distance from the user's eye. The PRO is compatible with 1st, 2nd, and 3rd generation night vision devices (NVD).

1.1 Specification

Material – housing:	Extruded, high strength aluminum, anodized
Material – lens covers:	Thermoplastic elastomer, black, non-glare
Surface finish:	Hard Anodized, Dark Graphite Grey, matte
Optical magnification:	1X
Eye relief:	Unlimited, no centering required
Optical coating:	Anti Reflex coating, all surfaces Multi-layer coating for reflection of dot Band Pass coating for NVD compatibility
Dot size:	2 MOA*
Switch, dot brightness:	10 positions: 4 NVD**, 6 daylight of which 1 Extra Bright
Battery:	One 3 Volt Lithium battery type 2L76 or DL1/3N
Battery life:	3 years on setting 7 out of 10, at room temperature
Length (incl. lens covers):	130 mm (5.1")
Width:	55 mm (2.2")
Height:	55 mm (2.2")
Weight (sight only):	220 g (7.8 oz)
Weight (with integrated mount):	330 g (11.6 oz) including mount and spacer
Adjustment:	Range ± 2 m at 100 meters, in windage and elevation. 1 click = 16 mm at 100 m = 1/2" at 100 yds.
Temperature range:	-45 °C to +71 °C (-49 °F to +160 °F)
Water resistance:	Submersible to 45 m (150 ft) water depth

* MOA: Minute Of Angle 1MOA = 30 mm at 100 meters = 1" at 100 yards

** NVD: Night Vision Device

1.2 Overview

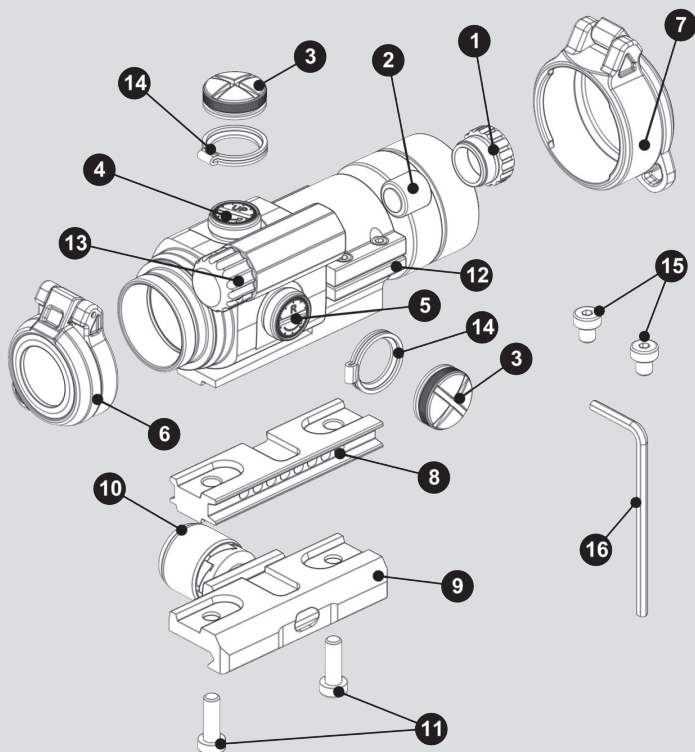


Fig. 1 Overview

- | | |
|--------------------------------------|--|
| 1 Battery cap | 9 QRP2 mount |
| 2 Battery (DL1/3N or similar) | 10 Torque knob |
| 3 Cover for adjustment screw | 11 Mounting screw |
| 4 Elevation adjustment screw | 12 Ring mount |
| 5 Windage adjustment screw | 13 Rotary switch |
| 6 Rear lens cover | 14 Strap |
| 7 Front lens cover | 15 Short mounting screw |
| 8 Spacer (removable) | 16 Allen wrench for mounting screws |

2 OPERATION

WARNING: Ensure the weapon is not loaded and the safety selector is in the "safe" position before attempting to install, remove or perform maintenance.

2.1 Installing Battery

- a Remove battery cap (1) by turning it counterclockwise.
- b Insert battery (2) with positive (+) end toward cap.

CAUTION: Check that the o-ring is in good condition and in position to ensure there is no water leakage into the battery compartment.

- c Install battery cap (1) by turning clockwise until snug. Hand tighten only. Using tools could damage equipment.
- d Verify that the red dot is present by turning the rotary switch (13) clockwise.

2.2 Mounting Procedure

- a Select a groove on the Picatinny rail for a comfortable position of the sight. Ensure that the groove is undamaged and free from dirt and/or sand.
- b Loosen the torque knob (10) by turning it counterclockwise.
- c Install the mount and sight on the Picatinny rail.
- d Push the sight and mount forward (toward muzzle) (see Fig. 2) to ensure the recoil stop is in contact with the side of the groove and tighten the torque knob (10) clockwise until it snaps **twice**. This ensures that the mount is secured to the Picatinny rail.

NOTE: Only grab the checkered portion of the knob to prevent pinching of the fingers.

- e Test fire the weapon and retighten the torque knob (10) after a few rounds if necessary.
- f Perform zeroing procedure according to 2.3.

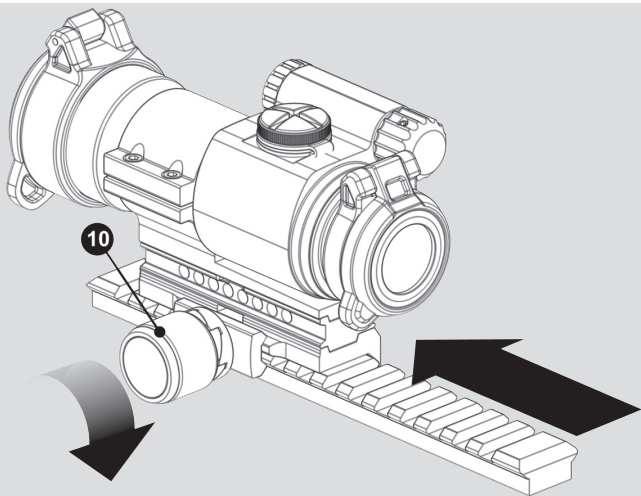


Fig. 2 Installing the sight to a Picatinny rail

10 Torque knob

2.3 Zeroing

Aimpoint® red dot sights are delivered with the dot in a centered position. Normally this means that only small adjustments are necessary providing that the sight is properly aligned with the rail.

CAUTION: Do not continue to adjust windage and elevation adjustment screws (4) and (5) if you encounter resistance.

The elevation adjustment screw (4) is located on top of the sight, while the windage adjustment screw (5) is located on the right side of the sight (5).

- a Open front and rear lens covers (7) (6).
- b Turn the rotary switch (13) clockwise until the red dot has sufficient intensity to contrast against the target.
- c Remove the two covers (3) for the windage adjustment screw (5) and the elevation adjustment screw (4).

NOTE: Each click of the adjustment screw corresponds to a 16 mm movement of the point of impact at 100 meters or 1/4" at 50 yds = 1/2" at 100 yds = 1" at 200 yds.

- d Insert adjustment tool (coin, screwdriver, knife) or empty cartridge casing in adjustment screw slot and turn as follows:
- To move the point of impact to the right, turn windage adjustment screw (5) counterclockwise.
 - To move the point of impact to the left, turn windage adjustment screw (5) clockwise.
 - To move the point of impact up, turn elevation adjustment screw (4) counterclockwise.
 - To move the point of impact down, turn elevation adjustment screw (4) clockwise.
- e Confirm zeroing by firing at least three shots at a zeroing target.
- f Check impact points on zeroing target to confirm accuracy and repeat zeroing procedure if required.
- g After initial firing, ensure the mount and sight are secure.

3 EXTREME CONDITIONS

- Extreme heat (moist or dry): No special procedures required.
- Extreme cold: Extreme cold might shorten battery life.
- Salt air: No special procedures required.
- Sea spray, water, mud and snow: Ensure that battery cap (1) and both adjustment screw covers (3) are tight before exposing the sight to sea spray, mud, snow or before immersing the sight in water. Hand tighten only. Keep lens covers (7) and (6) closed when sight is not being used. Clean lenses with lens paper/cloth and wipe the sight dry as soon as possible after exposure.
- Dust storms and sand storms: Keep lens covers (7) and (6) closed when the sight is not being used.
- High altitudes: No special procedures required.

CAUTION: Never clean the lenses with fingers. Use lens paper/cloth. If lens paper/cloth is not available:

- To clear away debris (sand, grass etc.): blow away the dirt or rinse with clear water.
- To clean lenses: fog the lenses or rinse with clear water and clean them with a soft piece of cloth.

4 TROUBLE SHOOTING

4.1 Red dot does not appear

Discharged battery:	Replace battery
Battery installed incorrectly:	Remove and reinstall battery with (+) toward cap
Battery is not making good contact:	Clean contact surfaces and reinstall battery.
Defective rotary switch:	Notify gunsmith or local Aimpoint Dealer.

4.2 Impossible to zero

Adjustment screw is at its limit:	Check alignment of mount to barrel
Impact point is moving:	Check mount stability

5 MAINTENANCE

- The sight does not require any particular maintenance when used under normal conditions.
- Under severe weather conditions refer to section 3.
- Keep lens covers (7) and (6) closed whenever the sight is not in use.
- Long term storage: Remove battery (2) from the sight. Allow lens surfaces to dry completely (if wet) before closing the lens covers (7) and (6).
- To clean lenses refer to **CAUTION** in section 3.

Aimpoint AB

Jägershillgatan 15
SE- 213 75 Malmö, Sweden
Phone +46 (0)40 671 50 20
Fax +46 (0)40 21 92 38
e-mail info@aimpoint.se

Aimpoint Inc.

7309 Gateway Court
Manassas, VA 20109, USA
Phone: +1 703-263-9795
Fax: +1 703-263-9463
e-mail: info@aimpoint.com

WWW.AIMPOINT.COM

© 2013, 2016 Aimpoint AB. [13648-2]

